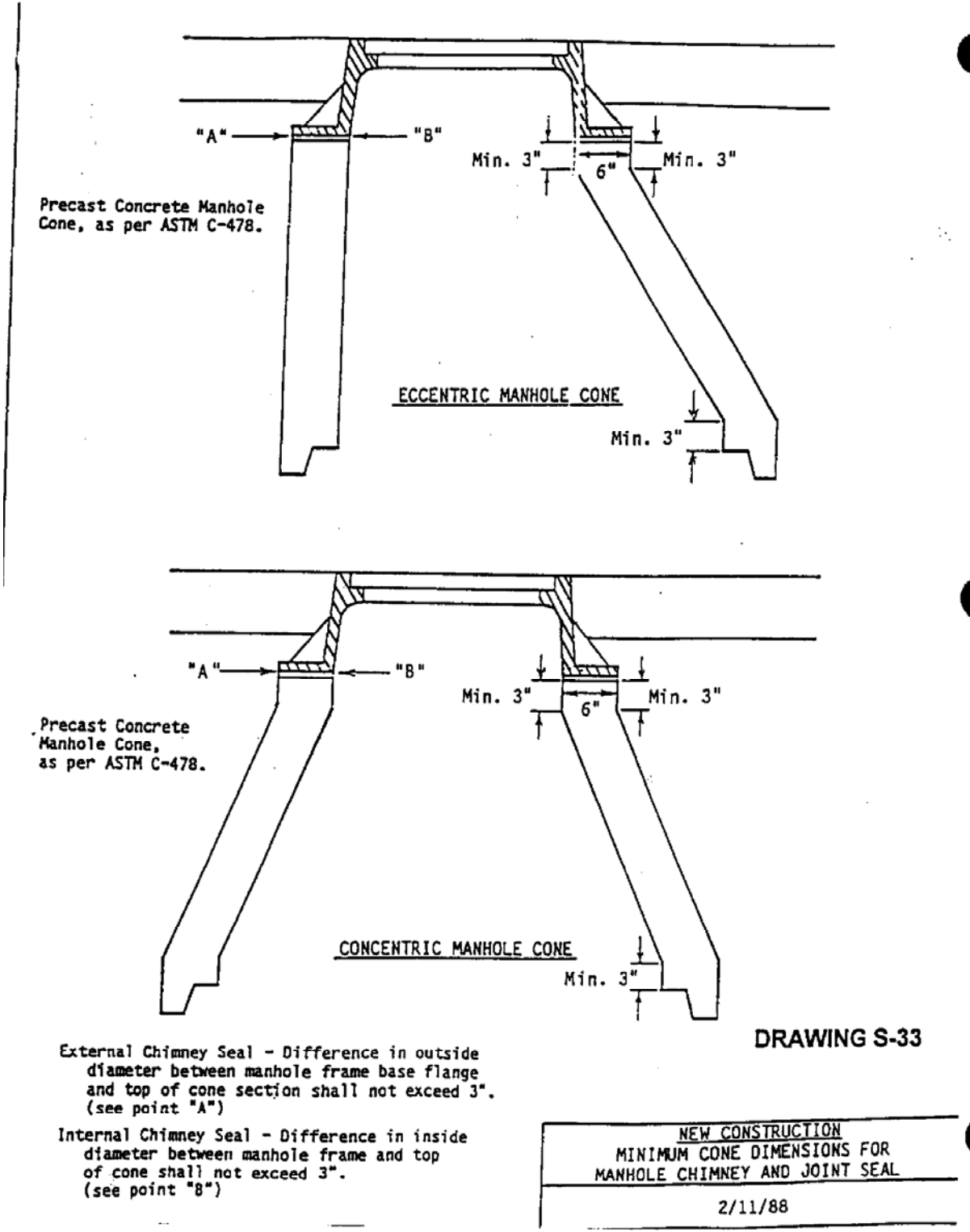


Township of East Rockhill



DRAWING S-33

External Chimney Seal - Difference in outside diameter between manhole frame base flange and top of cone section shall not exceed 3". (see point "A")

Internal Chimney Seal - Difference in inside diameter between manhole frame and top of cone shall not exceed 3". (see point "B")

NEW CONSTRUCTION MINIMUM CONE DIMENSIONS FOR MANHOLE CHIMNEY AND JOINT SEAL
2/11/88