

APPLICATION FOR TOWNSHIP ROAD OCCUPANCY PERMIT

Township EAST ROCKHILL TOWNSHIP Co. Bucks Date _____
1622 Ridge Road, Perkasie, PA 18944 Issuing Permit Fee \$ _____

Township Inspection Fee \$ _____

Route No., Road or Street Name (where work is to be done) _____ Total \$ _____

Application is hereby made by: _____
 _____ NAME OF APPLICANT

of _____, Pennsylvania for permission to _____
 _____ (ADDRESS)

 (DESCRIPTION AND PURPOSE OF WORK)

Under and subject to all the conditions, restrictions, and regulations prescribed by the Township on the reverse hereof and on the general provisions and specifications, a true copy whereof is attached and made a part thereof, with the same force and effect as if written or printed herein and under and subject to the special conditions, restrictions, and regulations hereinafter set forth.

DATE APPLICABLE TO THIS APPLICATION

GENERAL: Approximate date when work will be started: _____ Approximate date when work will be completed: _____

The road surface is improved to a width of _____ feet. Distance from center of line to roadway to gutter or ditch: _____ Distance from center line of road to Right-of-Way line: _____ feet.

POLES AND TOWER: Number of poles to be erected: _____ Nearest distance from center of road to structure: _____ feet. Distance of proposed work along the road: _____ feet.

PIPE LINES AND CONDUITS: The improved surface of the road (will) (will not) be opened. Approximate area of openings in improved surface: _____ Sq. Yds. Approximate area of openings on unimproved part: _____ Sq. Yds. Length of trench along the road: _____ Feet. Depth of trench below surface: _____ Inches.

TO BE COMPLETED BY TOWNSHIP

Schedule Item No.						
Unit Fee						
Number of Units						
Total Fee						

The applicant is (an individual) (a partnership) (a corporation incorporated under the law of _____)

(Corporate Seal) _____
 _____ (NAME OF APPLICANT)

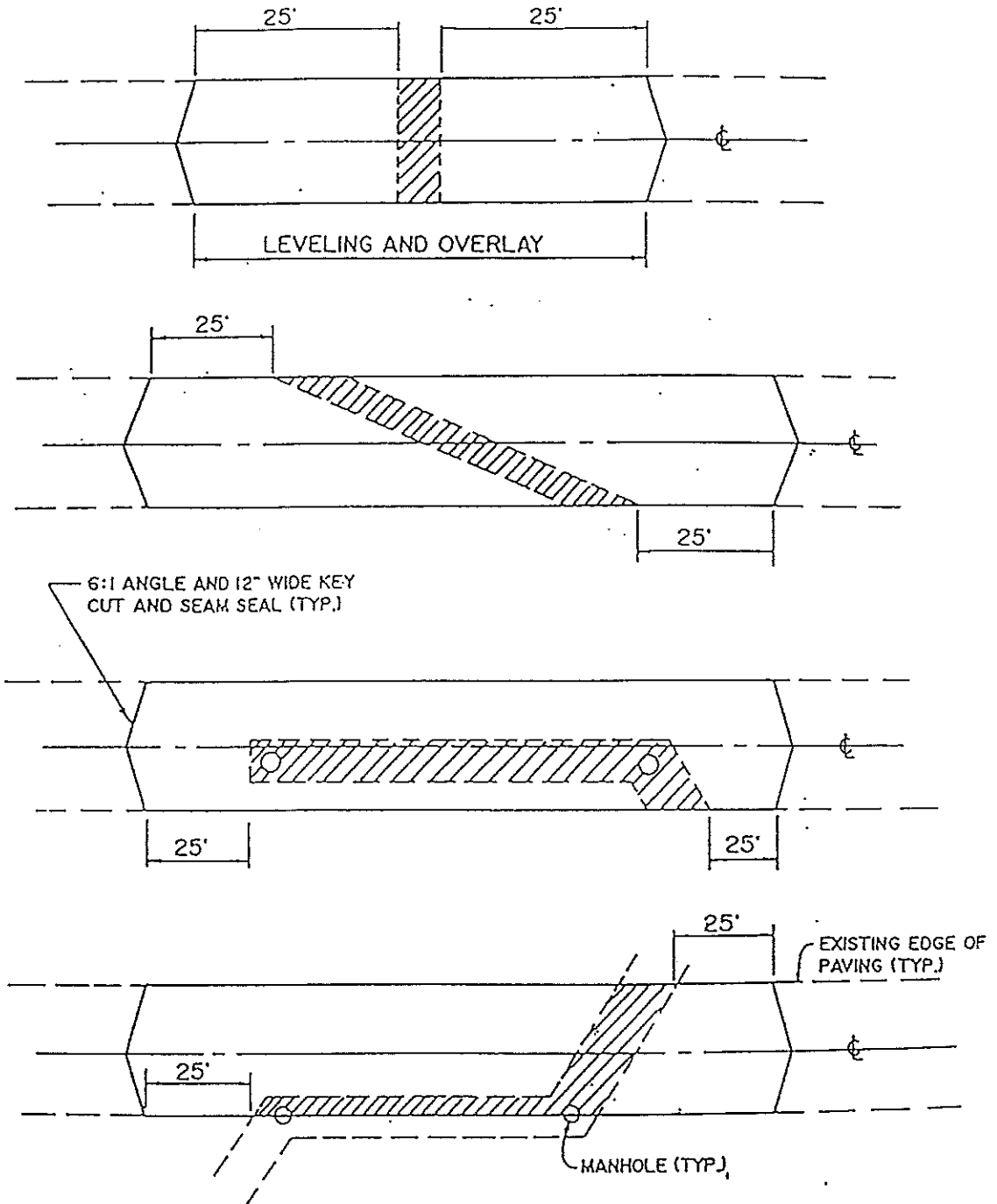
By: _____
 _____ (EXECUTIVE OFFICER OR AUTHORIZED REPRESENTATIVE)

GENERAL INSTRUCTIONS

Any work performed within the right-of-way of a township road requires submission of three (3) copies of this form along with three (3) copies of a sketch showing location and details of proposed work.
 Any work performed on a township road over, under, or within the limits of a limited access state highway, requires a state permit.
 The prescribed permit fee shall accompany the application and sketch. Schedules of fees are furnished on request.
THE FEE SHALL BE PAID BY CHECKS OR MONEY ORDERS AND SHALL BE MADE PAYABLE TO THE TOWNSHIP AFFECTED.

NOTE: Refer to Trench Restoration Specifications of Detail Sheet S-16, Typical Paving Specifications Provided on Detail Sheet S-19.

(PLAN VIEWS)



EAST ROCKHILL TOWNSHIP STANDARDS

<p>Not to Scale SCALE:</p>	<p>EXAMPLES OF FULL WIDTH CARTWAY OVERLAY REQUIREMENTS</p>	<p>S-18</p>
<p>DATE: 1/92</p>		<p>DWG. No.</p>

NOTES:

1. All construction and materials shall conform to PennDOT Form 408 specifications (latest edition) unless otherwise noted.
2. Air and surface temperature for placement of BCBC must be 35°F and rising.
3. Air and surface temperature for placement of ID-2 leveling and ID-2 wearing overlay must be 40° and rising.
4. Bituminous paving mixtures may not be placed between October 31 and April 1 unless otherwise permitted by the Township.
5. A one foot cutback (saw cut) shall be provided for BCBC and ID-2 binder placement around periphery of trench as directed by the Township.
6. Refer to all applicable specifications identified within Article VI "Restoration".

EAST ROCKHILL TOWNSHIP STANDARDS

Not To Scale SCALE: 1/92 DATE:	GENERAL PAVING REQUIREMENTS	S-19 DWG. No.
--	-----------------------------	----------------------