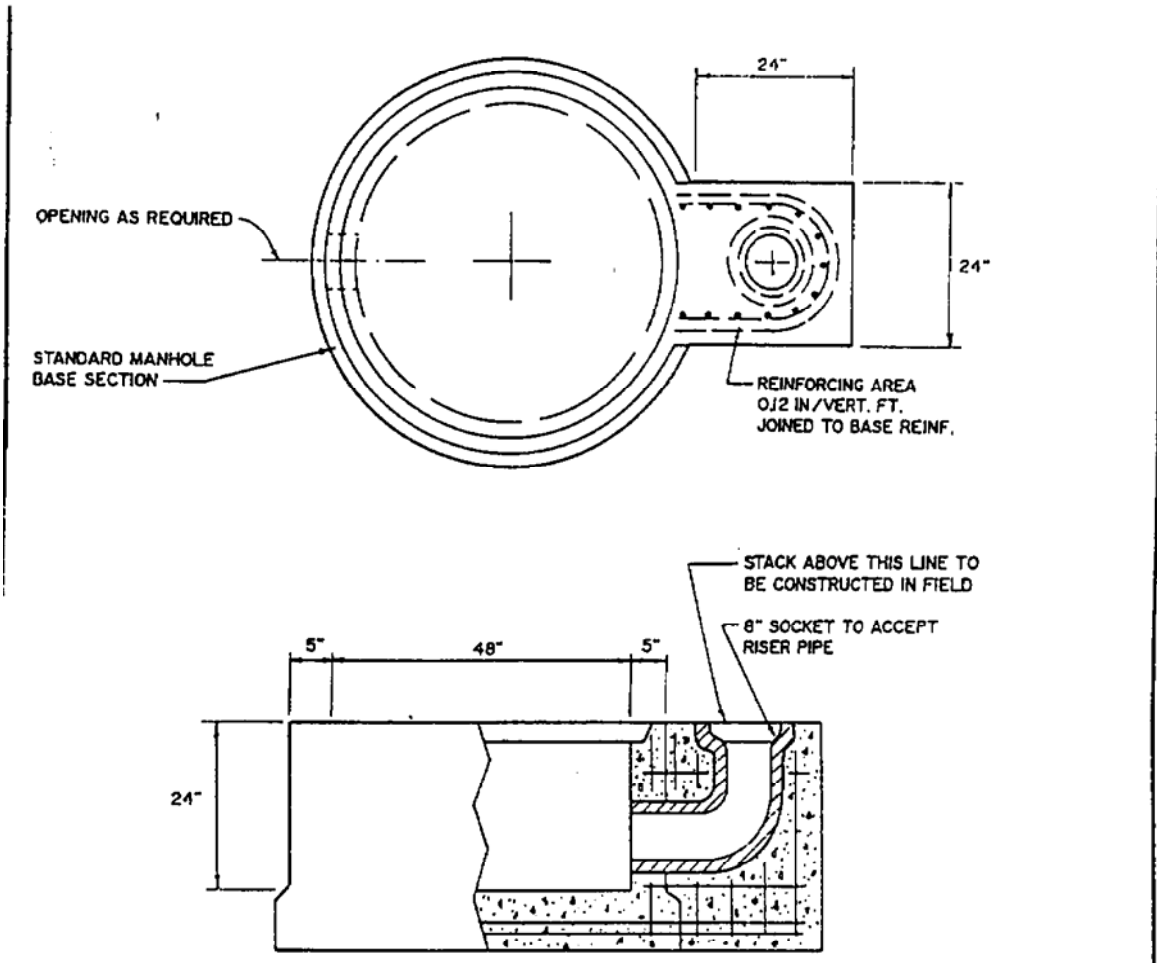


18 Attachment 4

Township of East Rockhill



MANHOLE BASE WITH PRECAST DROP

MANHOLE DESIGN SPECIFICATIONS  
 CONFORM TO PRECAST REINFORCED  
 CONCRETE MANHOLE SECTIONS -  
 A.S.T.M. DESIGNATION C-47B,  
 LATEST REVISION

Note: Precast drop manholes shall be as constructed  
 by Atlantic PreCast Concrete (or equivalent).

EAST ROCKHILL TOWNSHIP SEWER STANDARDS

Not to Scale SCALE:	PRECAST DROP MANHOLE BASE (NEW CONSTRUCTION ONLY)	S-3 DWG. No.
1/92 DATE:		